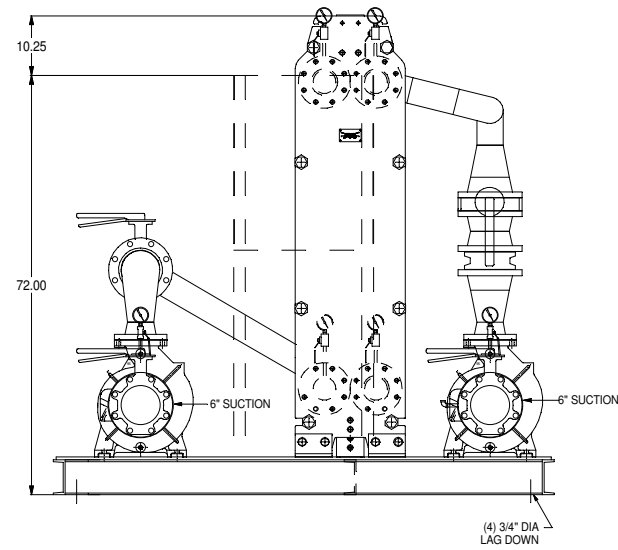
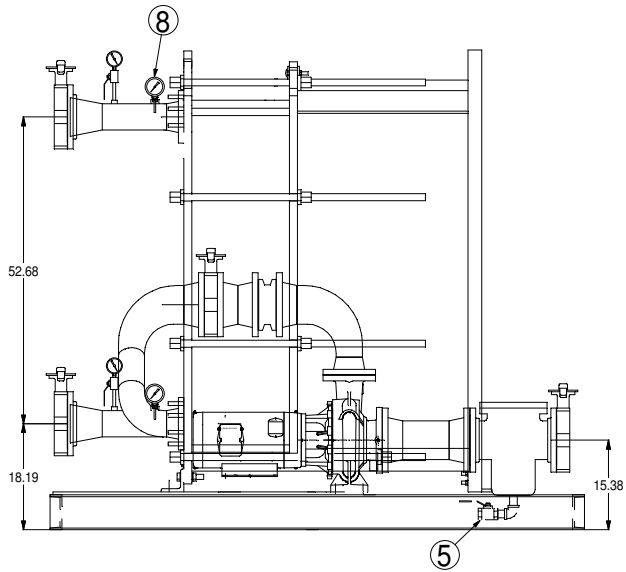


EQUIPMENT LIST		
ITEM	QTY.	DESCRIPTION
1	2	SCOT PUMP MODEL # 95, 6 X 4 X 10 CLOSE-COUPLED TO A 15HP, 1750 RPM, 3-60-480V TEFC MOTOR. CAPACITY: 500 GPM AT 30 PSI
2	2	WHEATLEY BASKET STRAINER MODEL BS, SIZE 6"
3	2	WHEATLEY DUAL DISC CHECK VALVE MODEL SDDB, SIZE 6"
4	6	JOMAR LUG STYLE BUTTERFLY VALVE WITH EPDM SEATS, SIZE 6"
5	2	JOMAR BRASS BALL VALVE MODEL T-100N SIZE 1/2"
6	6	JOMAR BRASS BALL VALVE MODEL T-100N SIZE 1/4"
7	6	MILJOCO LIQUID-FILLED PRESSURE GAUGE 0-60 PSI
8	4	MILJOCO BI-METAL THERMOMETER MODEL B3099A 0-250F RANGE
9	4	MILJOCO BI-METAL THERMOMETER THERMOWELL (NOT SHOWN)
10	1	NEMA 12 CONTROL PANEL
11	1	STRUCTURAL STEEL BASE
12	1	ALFA LAVAL PLATE AND FRAME HEAT EXCHANGER MODEL TL10-PFG (CUSTOMER SUPPLIED)
13		



NOTE:
ALL DIMENSIONS ± 1/4"
THIS DRAWING IS THE PROPERTY OF
KERR PUMP & SUPPLY INC., AND MAY
NOT BE GIVEN TO ANY OTHER CONCERN
WITHOUT THE WRITTEN CONSENT OF
KERR PUMP & SUPPLY INC.

PROTHERMAL INC. Heat Transfer and Process Equipment P.O. Box 714 Bridgeville, PA 15017-0714	DO NOT SCALE DRAWING		CUSTOMER			CUSTOMER ORDER NO.
	TITLE		NAME			DWG NO.
	QUENCH PUMP SYSTEM		DATE			SCALE: NONE
			REV			SHEET 1 OF 1