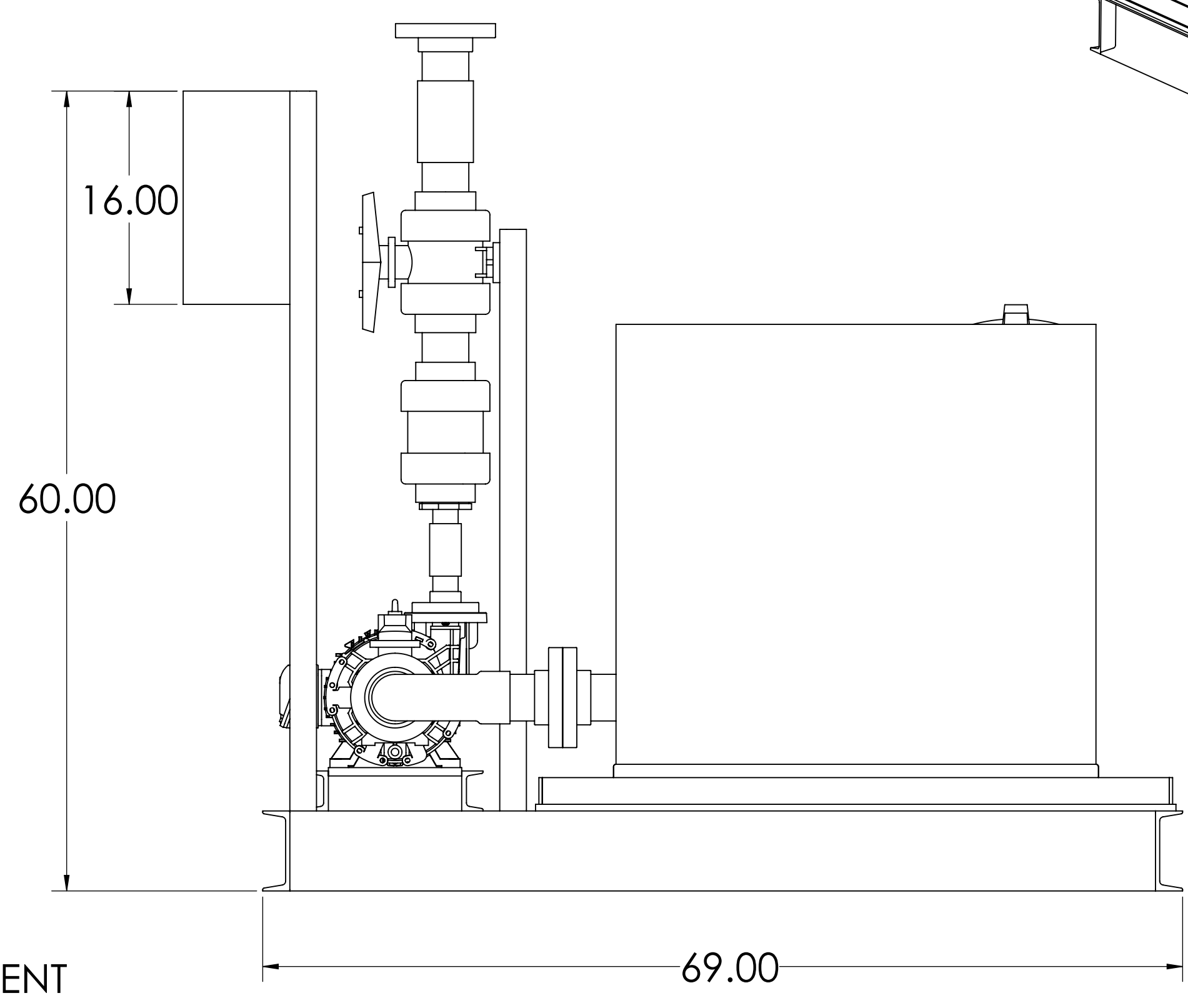
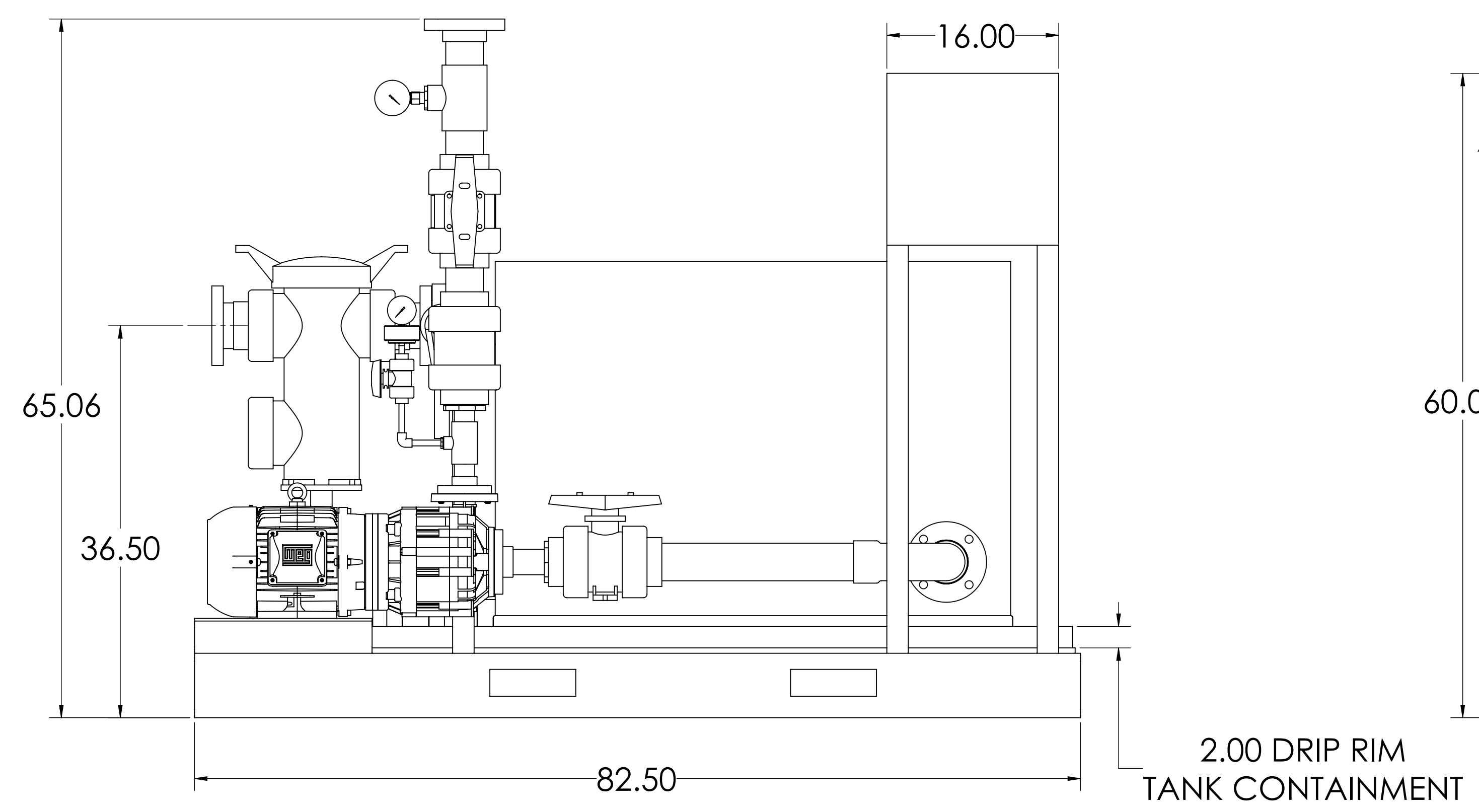
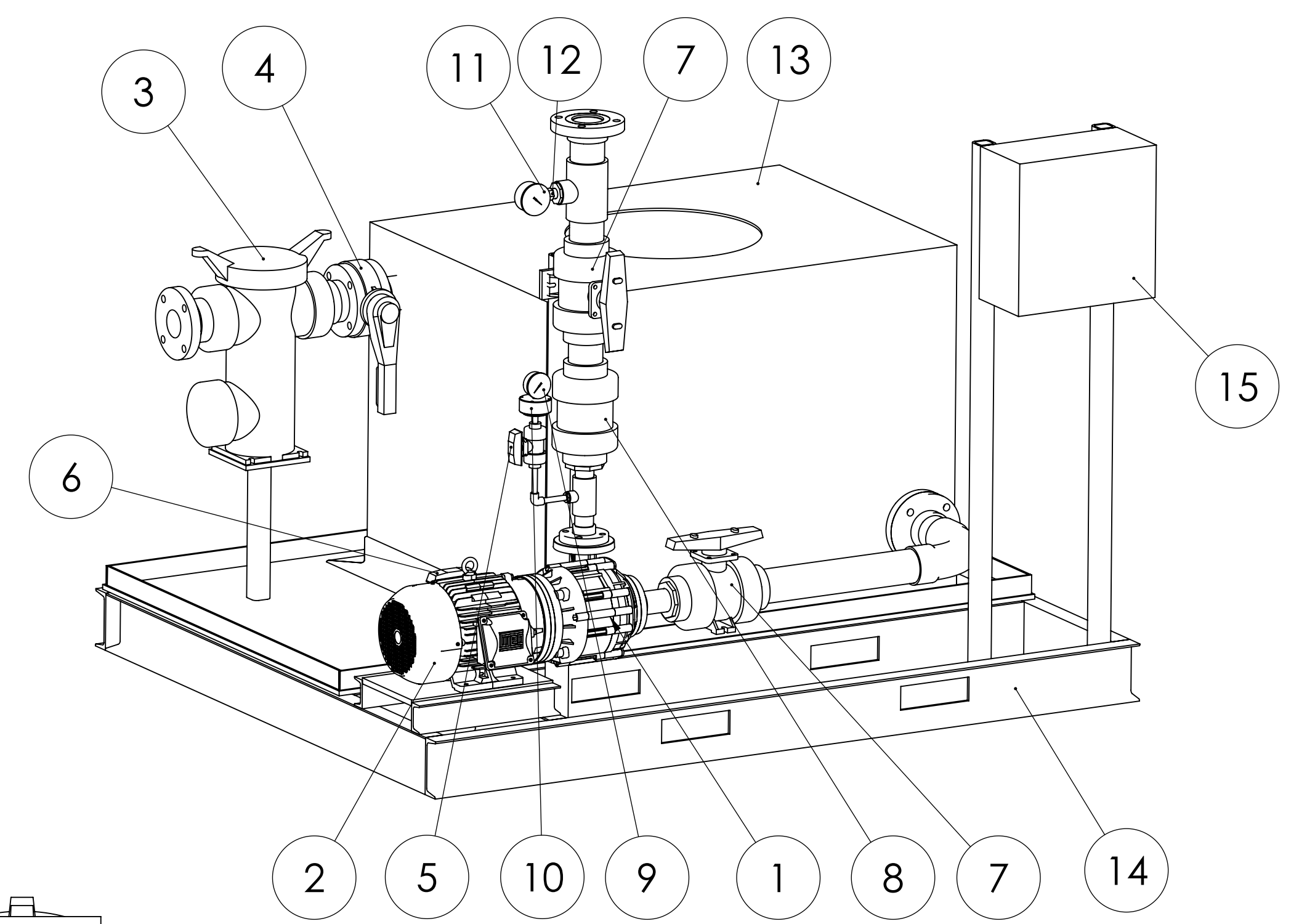


ITEM NO.	QTY.	DESCRIPTION	PartNo
1	1	ARGAL PUMP 2" X 1-1/2"	TMR3140
2	1	WEG MOTOR 15HP @ 3500RPM	-----
3	1	HAYWARD BASKET STRAINER 3" CPVC VITON	SB2300F
4	1	HAYWARD BUTTERFLY VALVE 3" CPVC VITON	BYV22030A0VL000
5	1	HAYWARD BALL VALVE 1/4" CPVC - VITON	TB2025S
6	1	HAYWARD BALL VALVE 2" CPVC VITON	TB2200ST
7	2	HAYWARD BALL VALVE 3" CPVC VITON	TB2300S
8	1	HAYWARD CHECK VALVE 3" VITON	TC2300S
9	1	MILJOCO LIQUID PRESSURE GAUGE 0-100 PSI	PLF2598L-06
10	1	MILJOCO PRESSURE GAUGE SEAL	DS110-01-S-S
11	1	MILJOCO THERMOMETER	B3099L-54-4
12	1	THERMOWELL 4" LG	TW02-A-AB-S2-AA-02500-01750-0500-0500-I
13	1	CPVC TANK, 200 GALLON	MFG122157-TANK
14	1	BASE W/ 2" DRIP RIM TANK CONTAINMENT	MFG122157-BASE
15	1	CONTROL PANEL 16" X 16" X 8"	SCE-16EL1608LP



NOTE:
ALL DIMENSIONS ± 1/4"

PROTHERMAL INC.
Heat Transfer and Process Equipment
P.O. Box 714
Bridgeville, PA 15017-0714

DO NOT SCALE DRAWING

TITLE

C.I.P. PUMP PACKAGE

CUSTOMER

NAME	DATE	REV

DRAWN

CHECKED

CUSTOMER ORDER NO.

DWG NO.

SCALE: NONE

SHEET 1 OF 1